

A NEW BUILDING FOR SAM JACKSON
 AUTOBODY BLDG #3
 UNION CO.
 RAYMOND, OHIO 43067
 LIBERTY TOWNSHIP

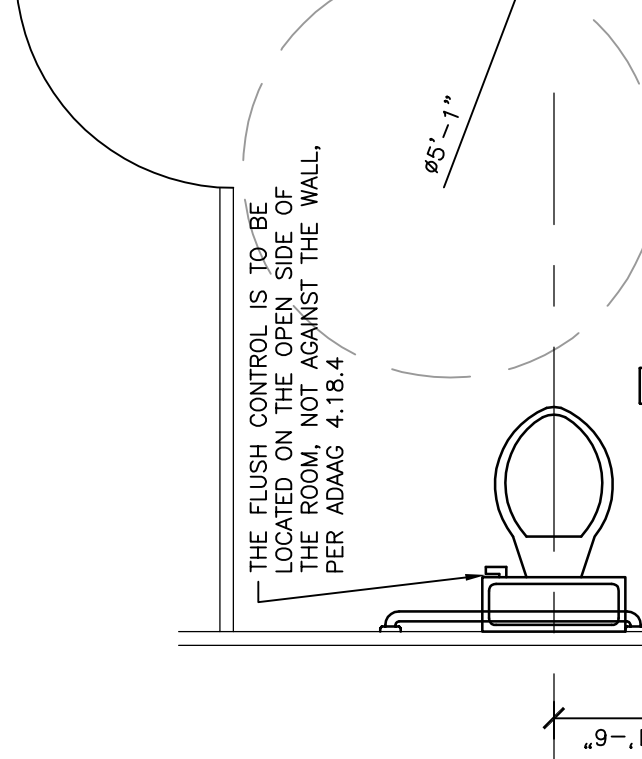
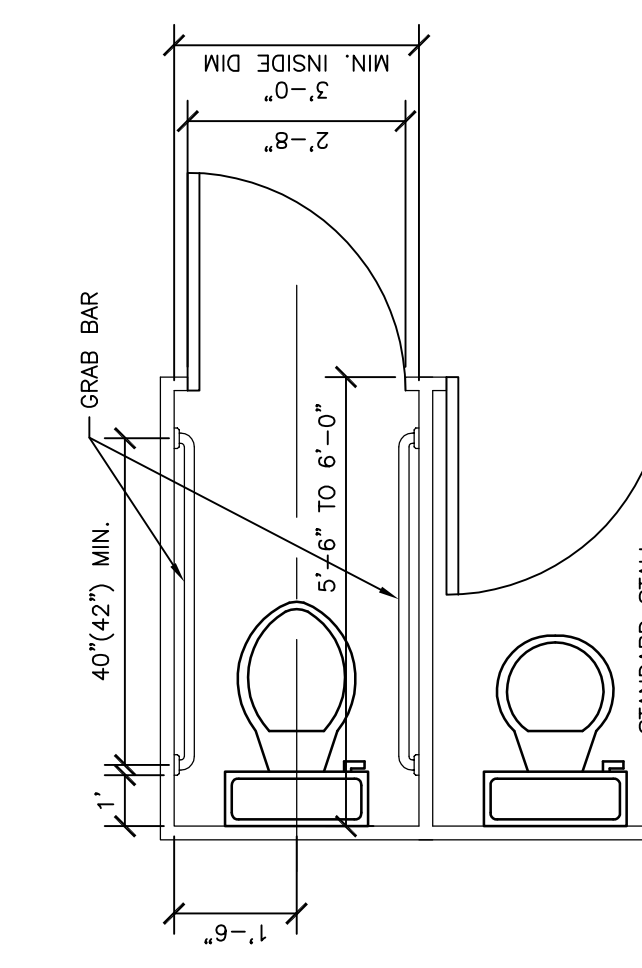
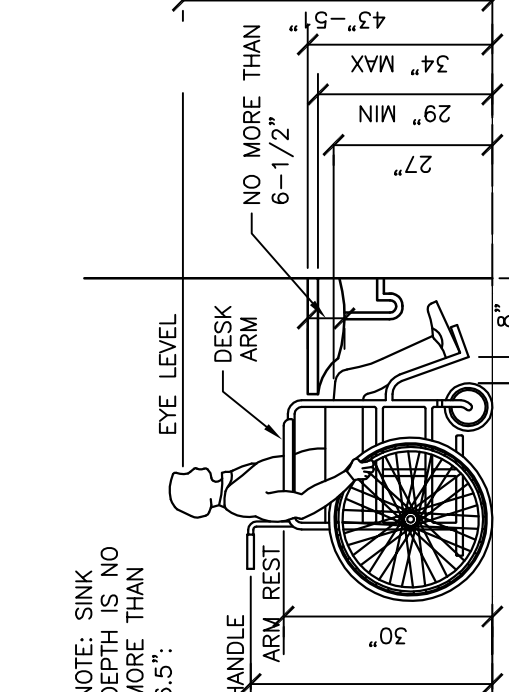
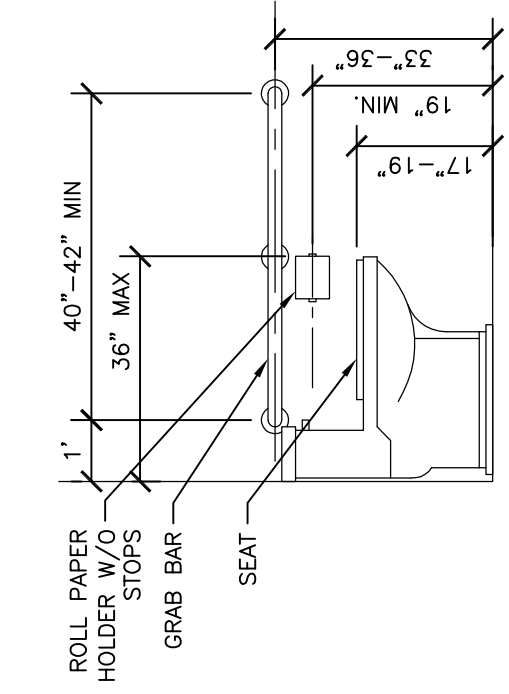
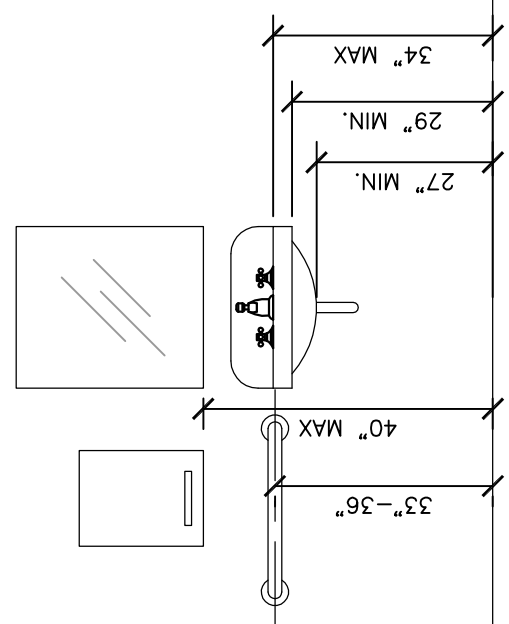
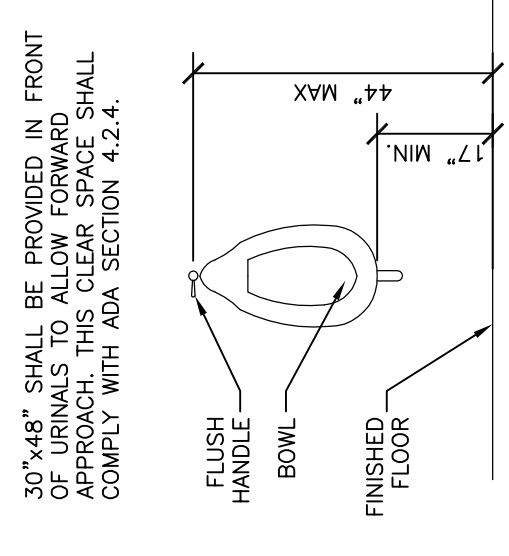
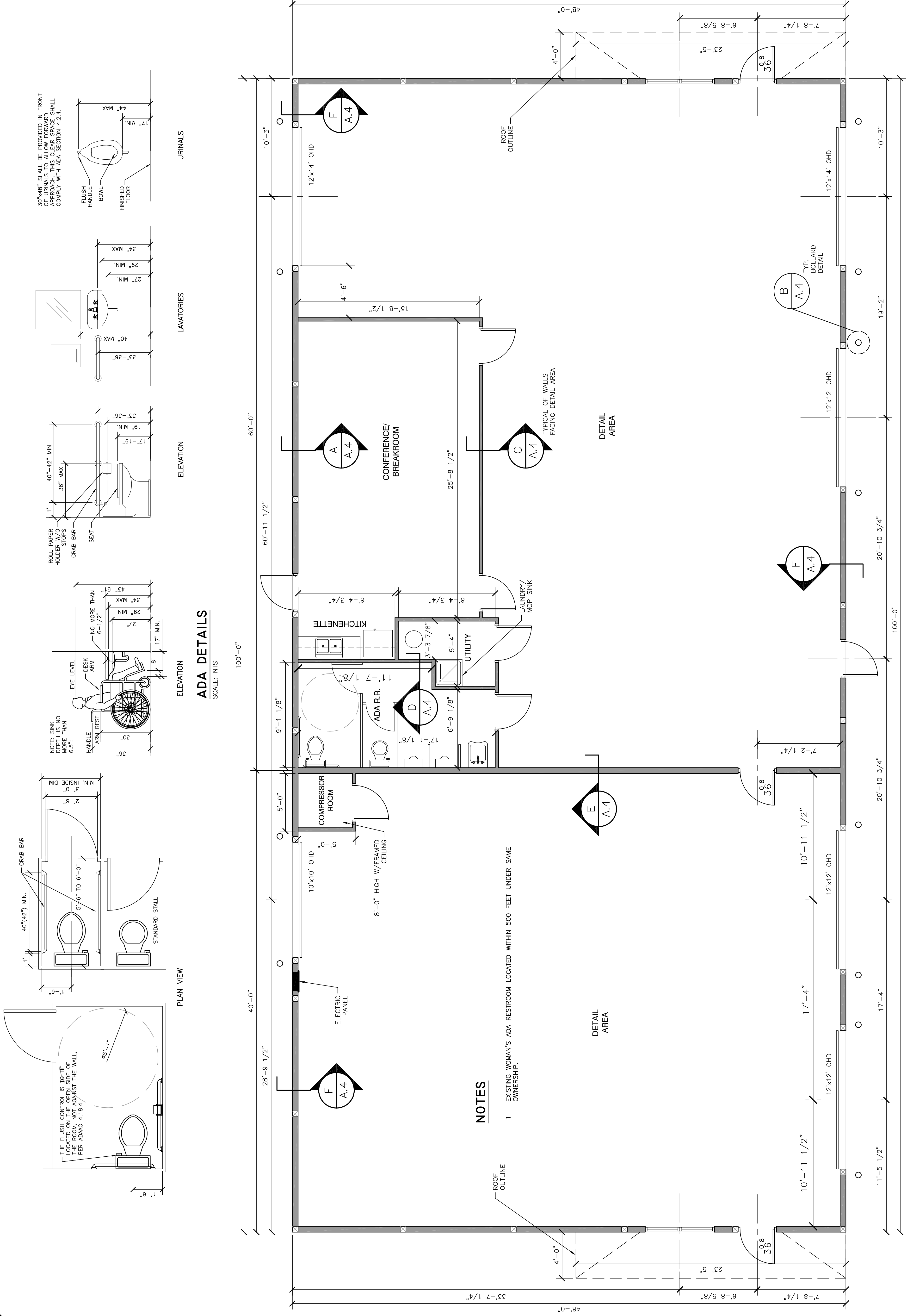
NO.	CORR. LTR. DATE	REVISED ISSUE DATE
		08-08-07

DESIGN BY PROFESSIONAL:
PIZZINO ENGINEERING & CONSULTING, LLC.
 WILLIAM J. PIZZINO, P.E.
 9495 SR 161
 PLAIN CITY, OHIO 43064

CONCEPT BUILDINGS, INC.
 MARYSVILLE, OHIO
 (937) 644-0605

THIS SHEET:
 FLOOR PLAN

PROJECT: NEW BLDG.
 DATE: 06-28-07
 DRAWN BY: P.R.M.
 SCALE: AS NOTED
 SHEET: 4 OF 8
A.3



ADA DETAILS
 SCALE: NTS

NOTES

- EXISTING WOMAN'S ADA RESTROOM LOCATED WITHIN 500 FEET UNDER SAME OWNERSHIP.

FLOOR PLAN
 SCALE: 1/4"=1'-0"