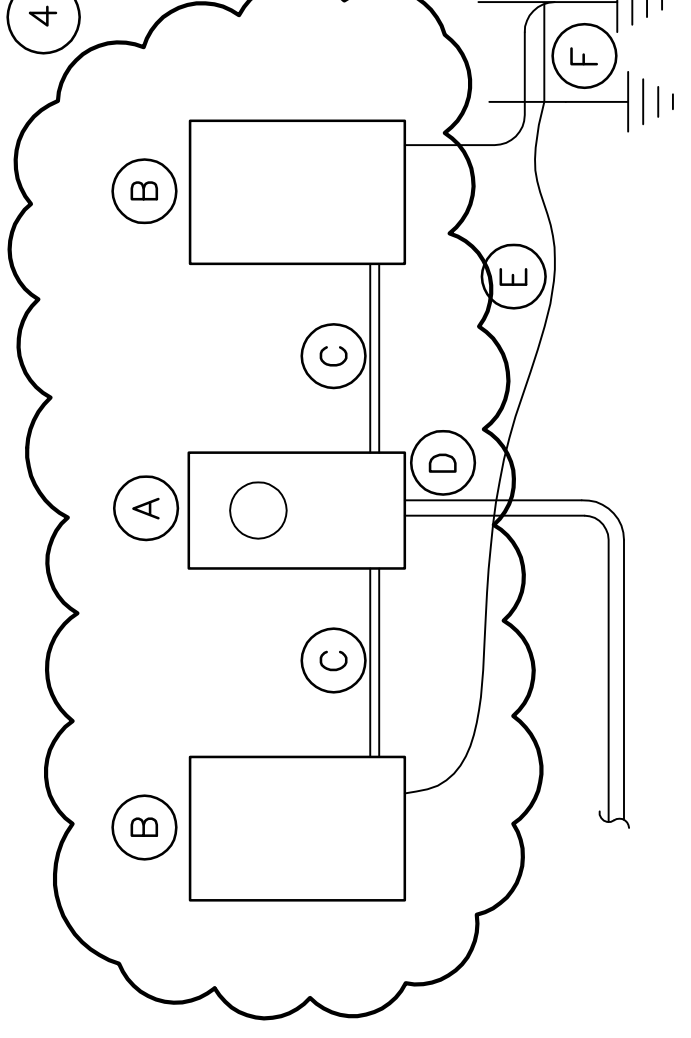
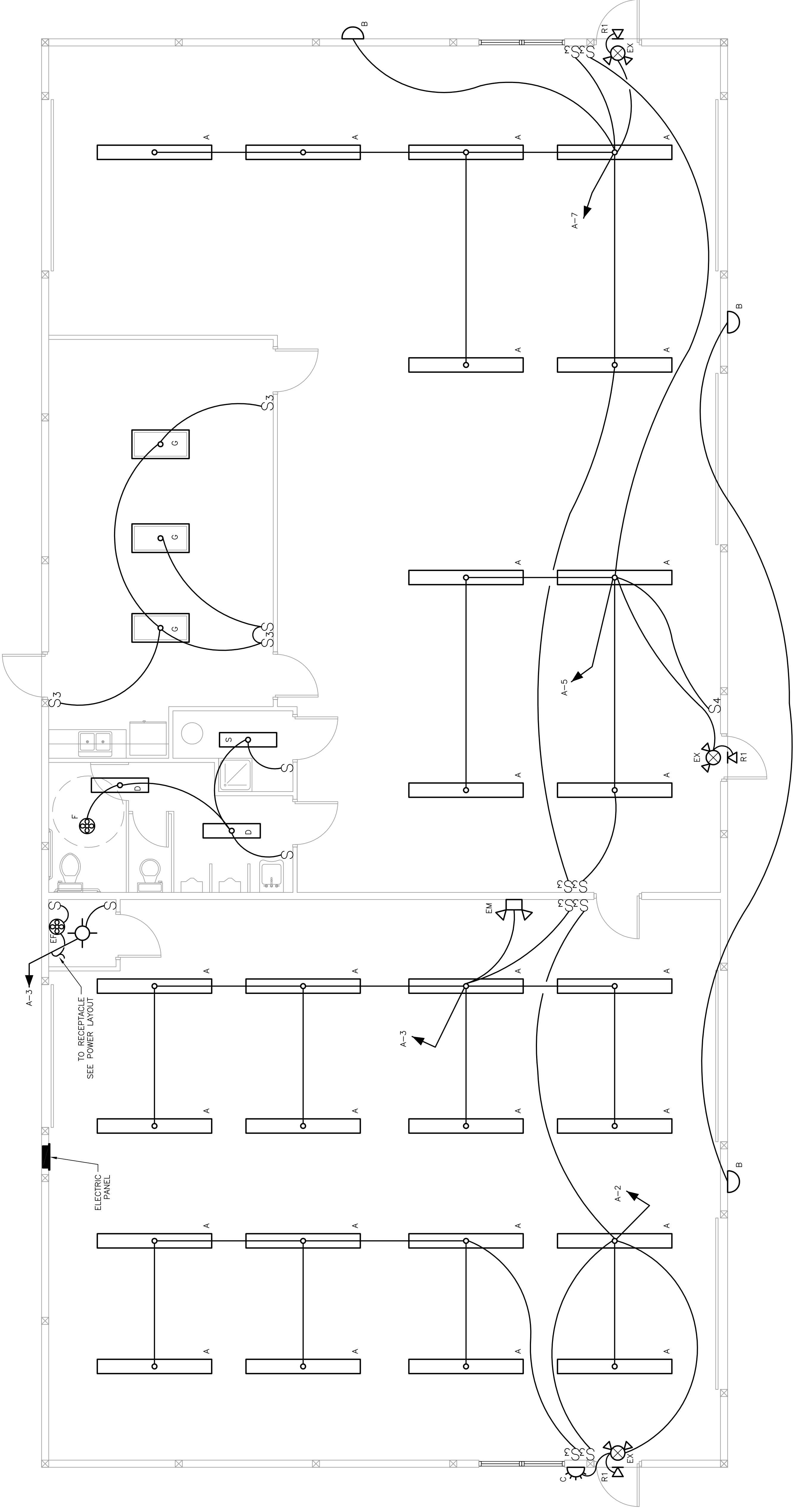


FIXTURE SCHEDULE						
MARK	MANUFACTURER	VOLTS	CATALOG NUMBER	LAMP	WATTS	DESCRIPTION
A	LITHONIA	120	TEJA 2 32 TUBI	F032/741		1"x8" SURFACE WRAP
B	LITHONIA	120	TWP 100M 120 PE LPI	M100 - MED		W/P PHOTO CELL
C	LITHONIA	120	TWS 26TRT 120 PE LPI	26 TRT FLUOR.		W/P PHOTO CELL
EX	LITHONIA	120	LHOMSWR120/277HO	LED INCLUDED		BATTERY BACKUP
EM	LITHONIA	LOW VOL.	ELM 2	6 VOLT INCLUDED		BATTERY BACKUP
R1	LITHONIA	120	ELA NX H0606	6 VOLT INCLUDED		REMOTE HEAD
F	NUTONE	120	QT-300	N/A		300 CFM EX. FAN-DUCT TO OUTDOORS
G	LITHONIA	120	SB 432 M00LT 6EB 10 IS	F032/741		2"x4" SURFACE MOUNT
VF-1	DAYTON	120	4C367	N/A		2640 CFM EXHAUST FAN, PROVIDE 20 INCH EXHAUST AND INTAKE SHUTTER
VF-2	DAYTON	120	4C127	N/A		3290 CFM EXHAUST FAN, PROVIDE 20 INCH EXHAUST AND INTAKE SHUTTER
H-1	BERKO	120	25408W	N/A		2500 WATT/8630 BTU BASEBOARD HEATER
H-2	BERKO	120	2544W	N/A		1000 WATT/3412 BTU BASEBOARD HEATER
T	BERKO	120	TA-2AW	N/A		DP THERMOSTAT
S	LITHONIA	120	C 232-120	F0732.741		SURFACE



RISER DIAGRAM
SCALE: NTS



ELECTRICAL LAYOUT - LIGHTING
SCALE: 1/4"=1'-0"

A NEW BUILDING FOR SAM JACKSON
AUTOBODY BLDG #3
RAYMOND, OHIO 43067
UNION CO.
LIBERTY TOWNSHIP

NO.	CORR. LTR. DATE	REVISED ISSUE DATE
		08-08-07

DESIGN BY PROFESSIONAL:
PIZZINO ENGINEERING & CONSULTING, LLC.
WILLIAM J. PIZZINO, P.E.
9495 SR 161
PLAIN CITY, OHIO 43064

CONCEPT BUILDINGS, INC.
MARYSVILLE, OHIO
(937) 644-0605

THIS SHEET:
ELECTRICAL LAYOUT -

PROJECT	NEW BLDG.	SHEET
DATE	06-28-07	6 OF 8
DRAWN BY:	P.R.M.	
SCALE	AS NOTED	E.1